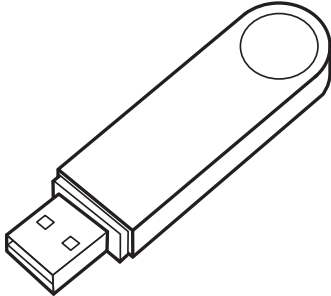


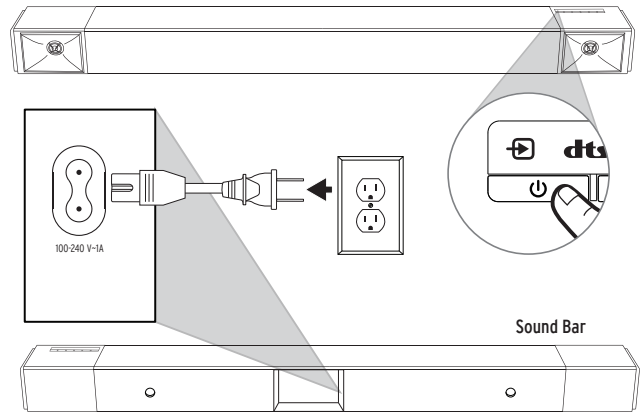
# Klipsch® BAR 48

## FIRMWARE UPDATE INSTRUCTIONS

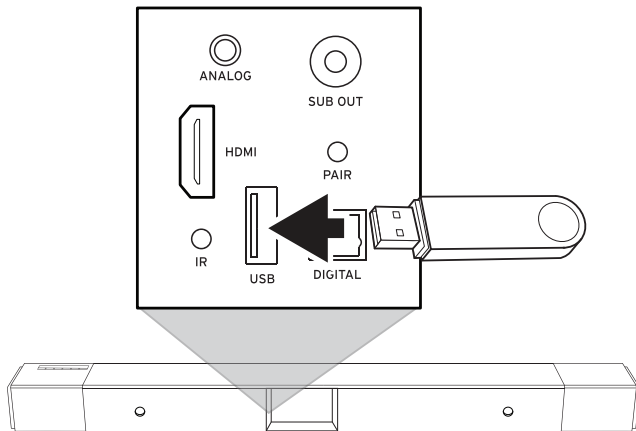
- 1 Download the update file from [Klipsch.com/firmware](http://Klipsch.com/firmware) to an empty USB Flash Drive (FAT32 format).



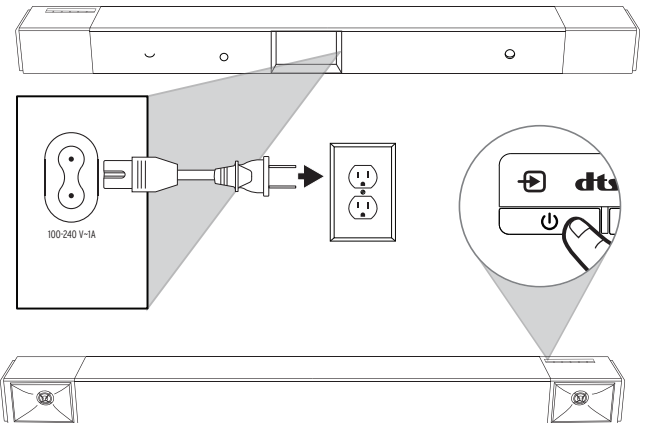
- 2 Turn the Power Switch "OFF" and unplug the Power Cord.



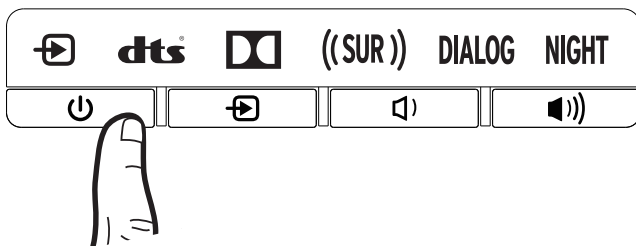
- 3 Insert the USB Flash Drive into the USB port on the back panel of your Sound Bar.



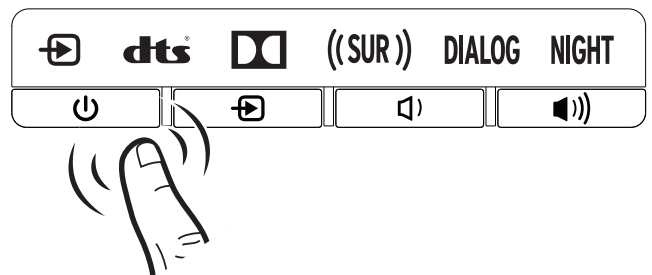
- 4 Press and hold the Power Button while plugging in the Power Cable.



- 5 Continue holding the Power Button until ALL Indicator Lights light up in order.  
**DTS > DOLBY > SUR > DIALOG > NIGHT**



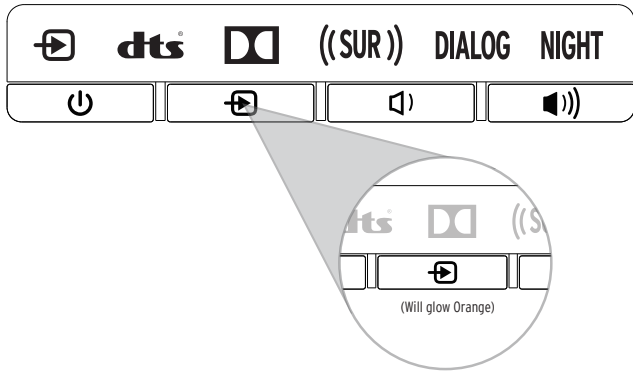
- 6 After the lights go out release the Power Button. Your Sound Bar will restart.



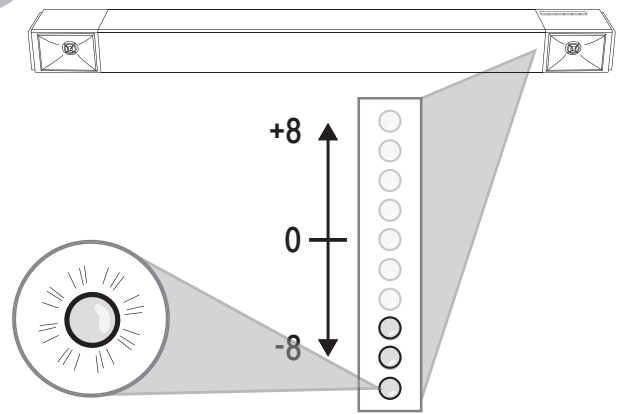
# Klipsch BAR 48

# FIRMWARE UPDATE INSTRUCTIONS

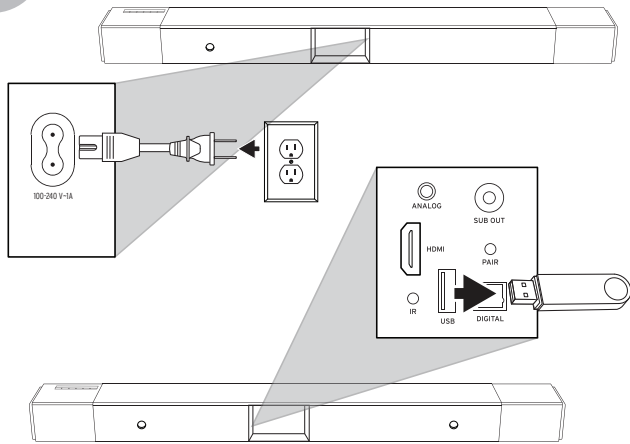
**7** Once your Bar 48 turns back on, the source indicator LED light on the top will glow orange indicating it is in HDMI mode.



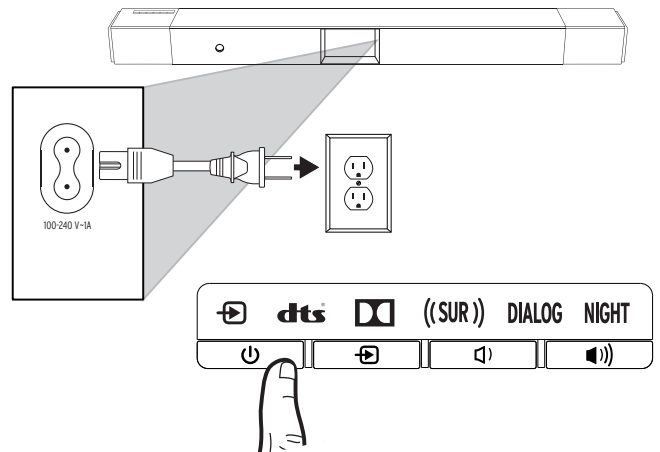
**8** Front Volume LED's will show the Volume at 3.



**9** Unplug your Sound Bar and Remove the USB drive.



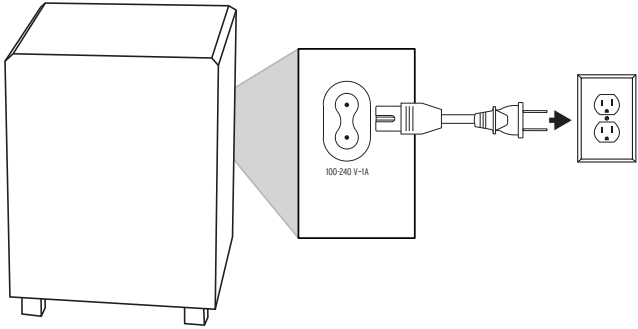
**10** Plug your Sound Bar back in. The update is complete. Turn on and enjoy.



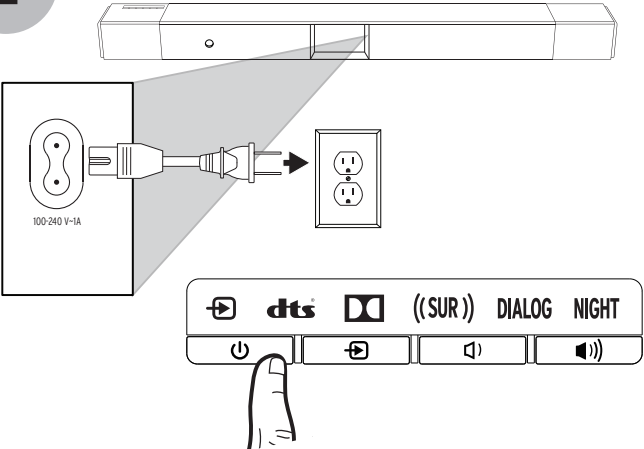
# Klipsch® BAR 48

## RE-PAIRING SUBWOOFER (After Firmware Update)

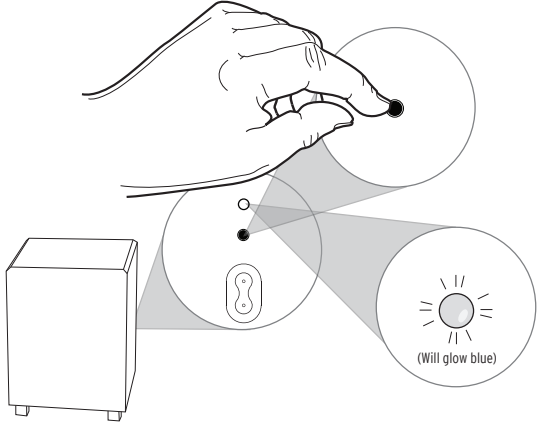
**1** Ensure the subwoofer is plugged in.



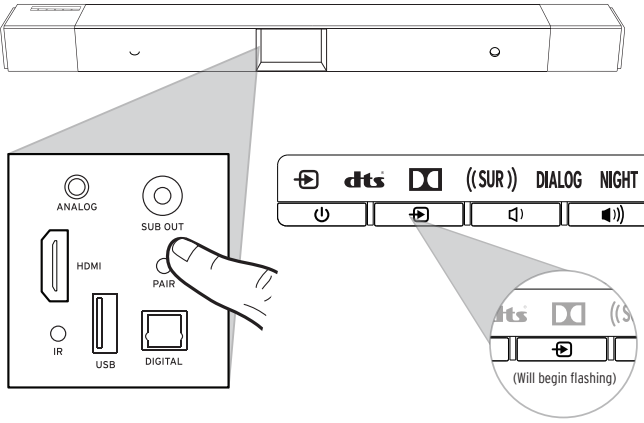
**2** Front Volume LED's will show the Volume at 3.



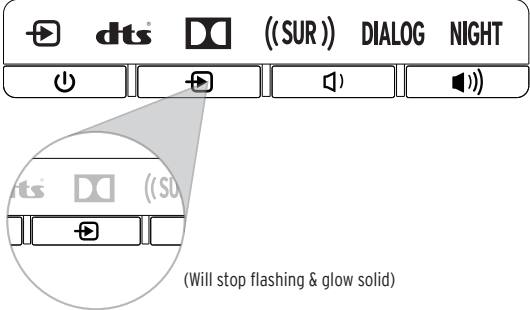
**3** Press and hold the pairing button on the back of the subwoofer for 3 seconds until the blue LED begins flashing rapidly.



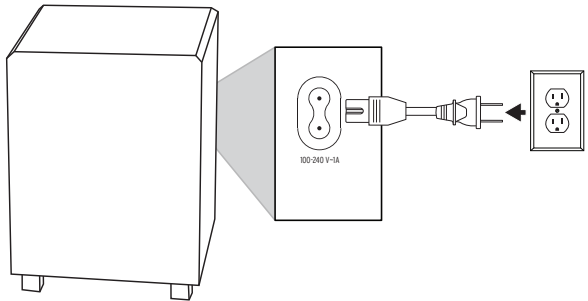
**4** Press and hold the pairing button on the back of the Sound Bar for 3 seconds until the source LED begins flashing.



**5** Wait until the source indicator on the Sound Bar stops flashing and glows solid. This indicates a successful connection with the subwoofer.



**6** Unplug the Power Cable on the back of the subwoofer and wait until the blue LED is **COMPLETELY** off.

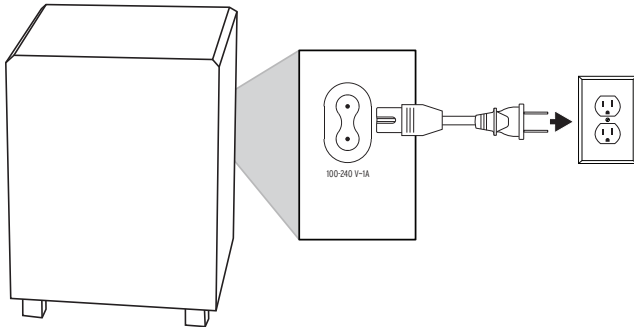


# Klipsch BAR 48

## RE-PAIRING SUBWOOFER (After Firmware Update)

7

Plug the Power Cable back into the subwoofer.



8

Sub will turn on and connect with Sound Bar in 10 - 15 seconds, showing a solid blue LED to indicate it is paired and ready to use.

